

Data Sheet

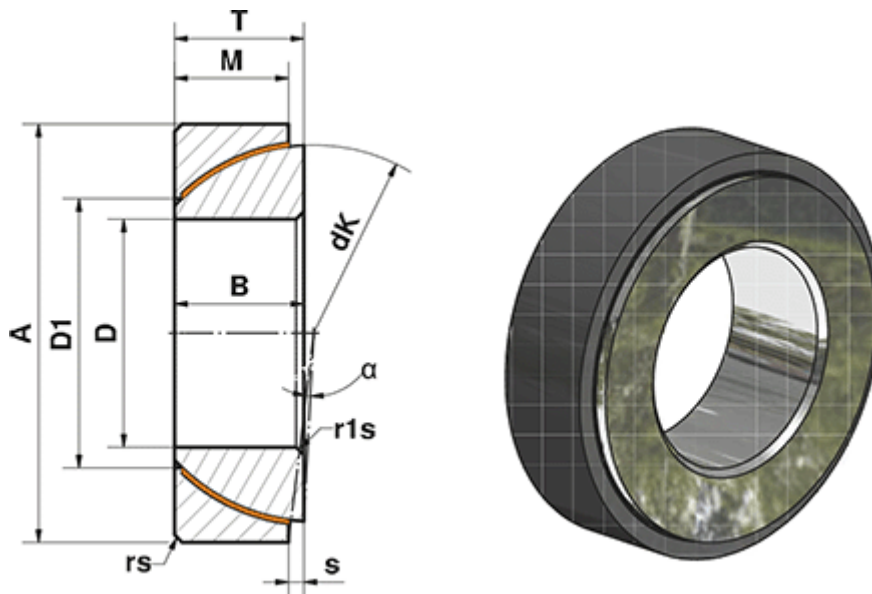


Article number: 03449070

Description: Fluro Heavy Duty Spherical Plain Bearing GE 70 SWE
Hole Ø70

Note: 70

Measures



A	= 110	rs, r1s min	= 1.1
a (degrees)	= 2	S	= 7.2
B	= 25	Static load C0 (kN)	= 972
D	= 70	T	= 25
D1	= 82.6	Weight (g)	= 1040
dK	= 102		
Dynamic load C (kN)	= 583		
M	= 23		